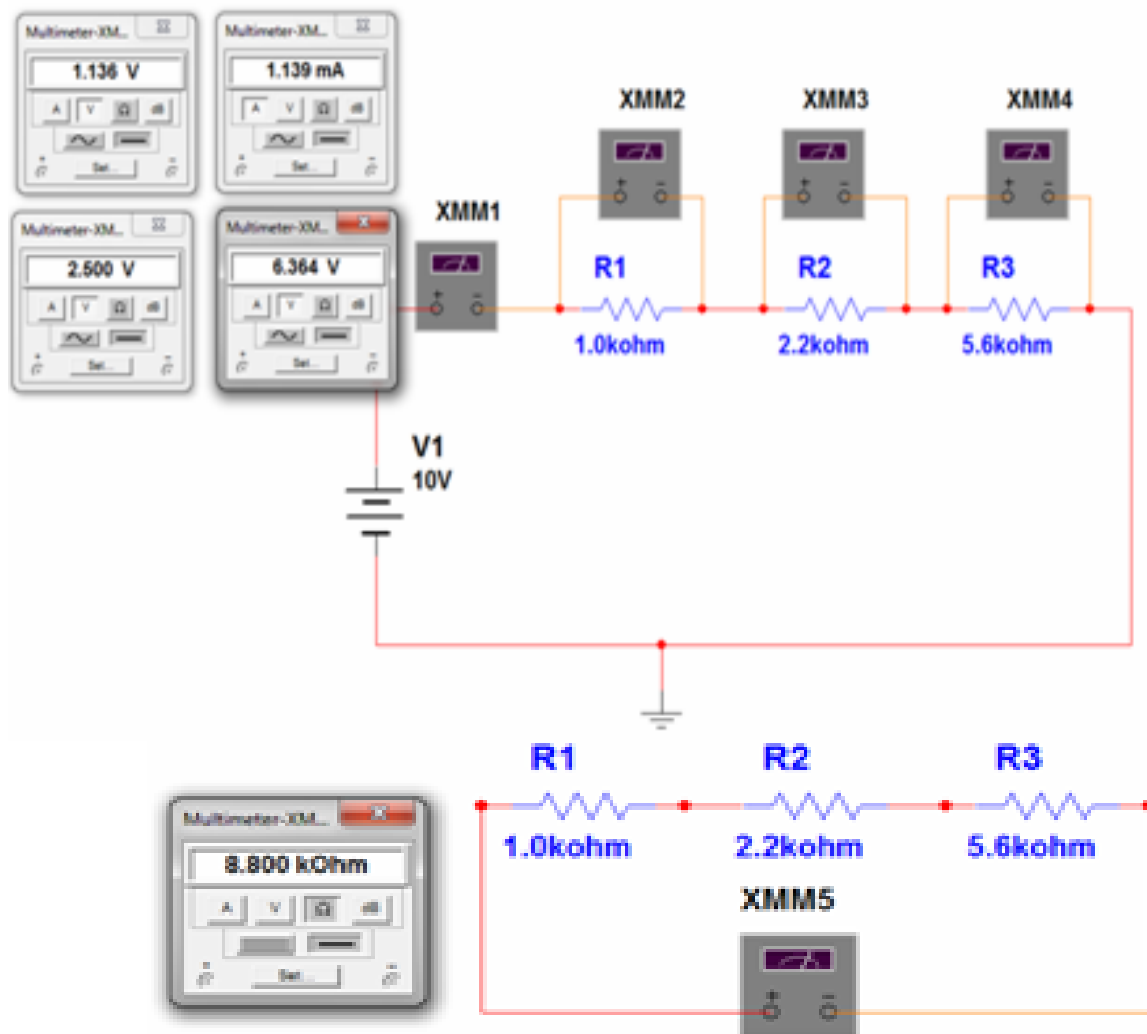
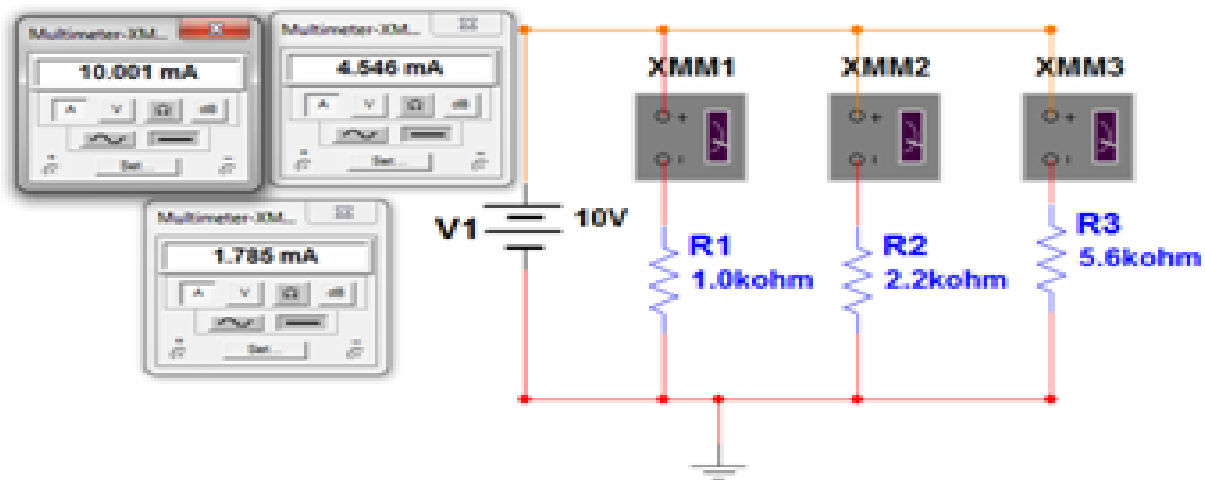
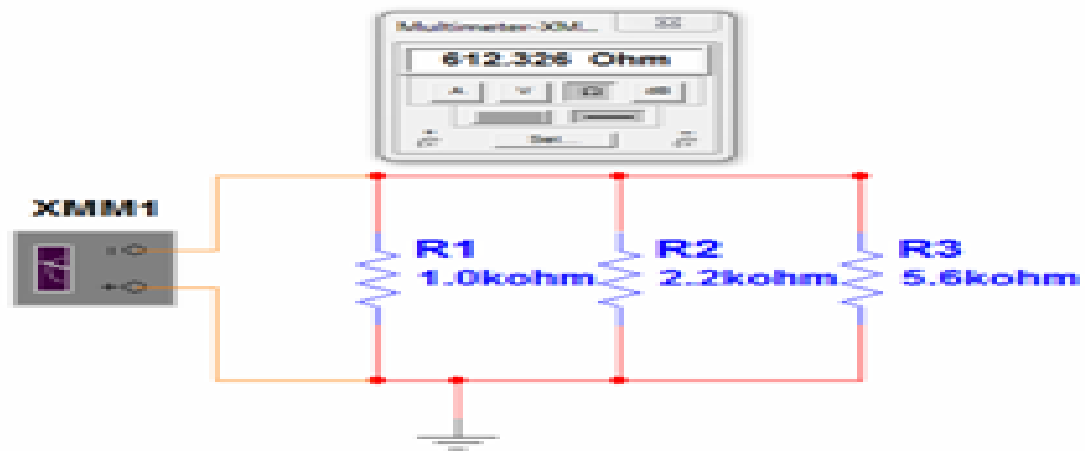


1. resistors in series:



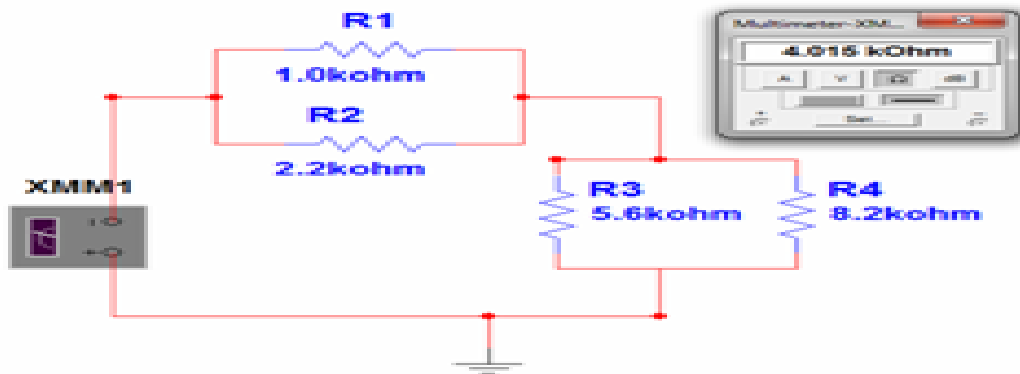
parameter	R1	R2	R3	Req	Vs	VR1	VR2	VR3	Is
theoretical	1 kΩ	2.2 kΩ	5.6 kΩ	8.8 kΩ	10 v	1.13 v	2.5 v	6.3 v	1.13 mA

2.resistor in parallel:

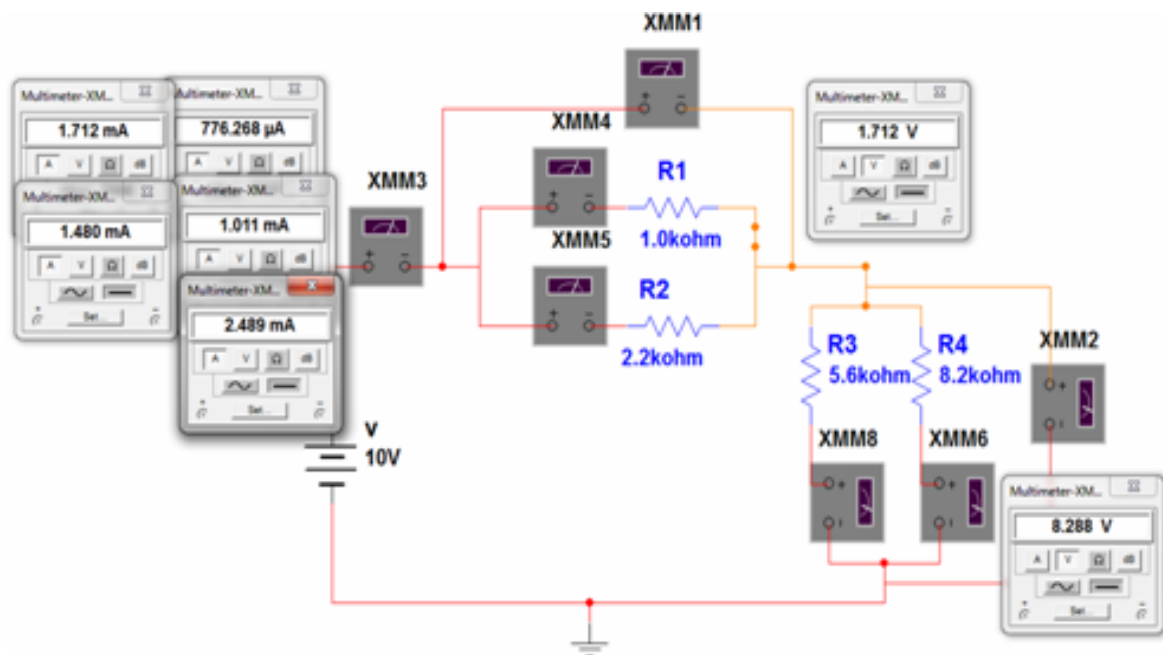


parameter	R1	R2	R3	Req	Vs	IR1	IR2	IR3
theoretical	1 kΩ	2.2 kΩ	5.6 kΩ	0.612 kΩ	10 v	10 mA	4.5 mA	1.78 mA

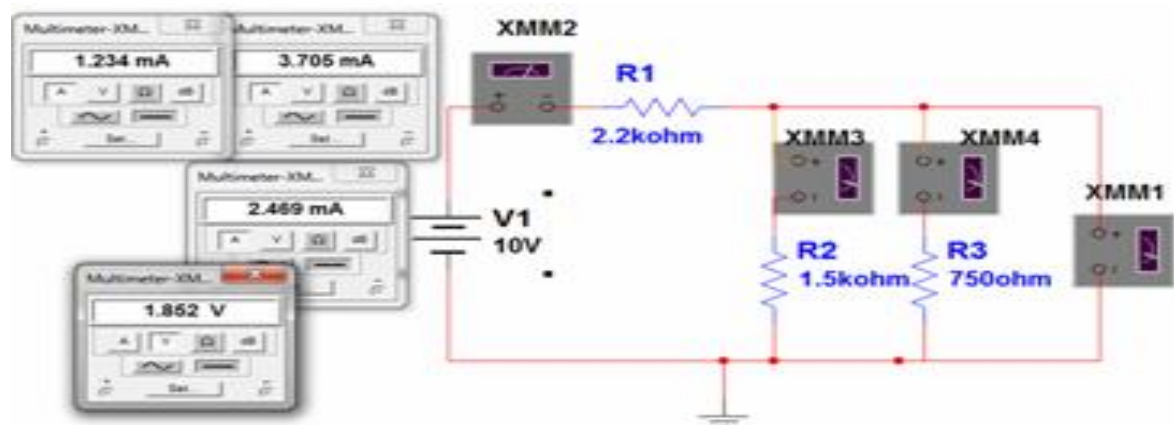
3.series-parallel combination:



Parameter	theoretical	Parameter	theoretical
R1	1K Ω	IR1	1.71mA
R2	2.2K Ω	IR2	0.78mA
R3	5.6K Ω	IR3	1.48mA
R4	8.2K Ω	IR4	1.01mA
Ra-c	4.015K Ω	Is	2.49mA
Vab	1.71V	Vbc	8.29V

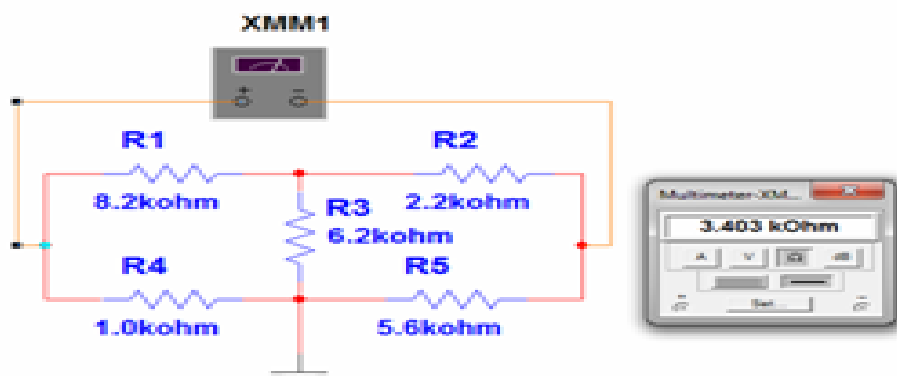


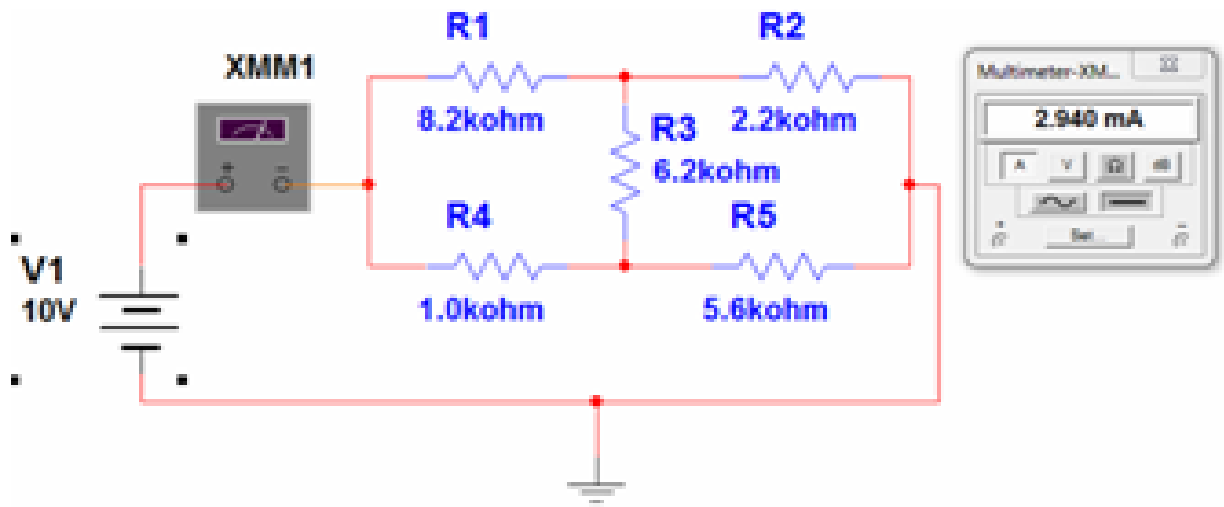
4.voltage & current divider:



parameter	R1	R2	R3	Vs	Vo	Is	I1	I2
theoretical	2.2kΩ	1.5kΩ	0.75kΩ	10v	1.85 v	3.71mA	1.23mA	2.46mA

5.Delta combination:





parameter	Vs	R1	R2	R3	R4	R5	R _{x-y}	I _s
theoretical	10v	8.2kΩ	2.2kΩ	6.2kΩ	1kΩ	5.6kΩ	3.4kΩ	2.9mA



The Hashemite University
Faculty Of Engineering
Department of Electrical Engineering
Electrical Circuit Lab
(409300)

Experiment "2" (Measurements on DC Circuits)
Prelab "2"

*Instructor name :Dr. Ahmade Al -Nemrat

*Eng. Name: Alaa

*Student Name:

*ID:

*Date: 22/june/2010

*Day: Tuesday