

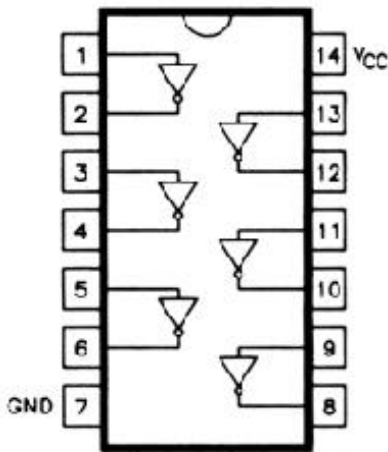
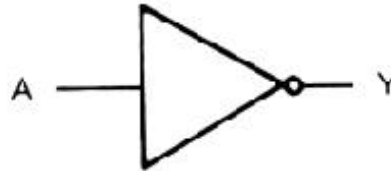
7404 Hex Inverter

FUNCTION TABLE (each inverter)

INPUTS	OUTPUT
A	Y
H	L
L	H

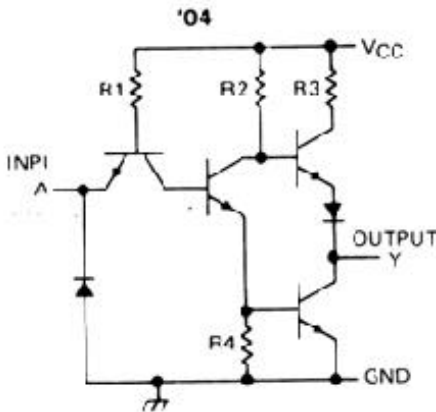
positive logic $Y = \bar{A}$

logic diagram (each inverter)

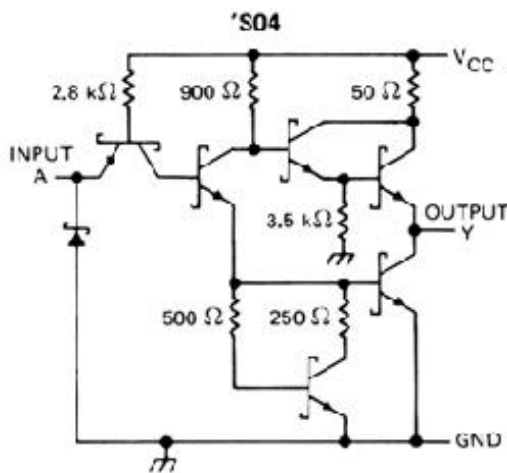
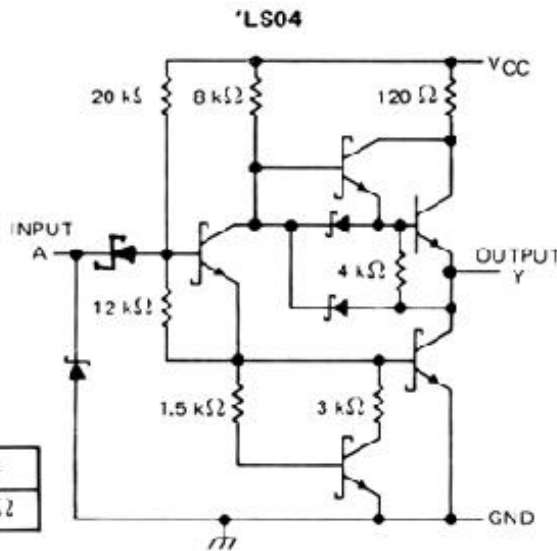


7404

schematics (each gate)



CIRCUIT	R1	R2	R3	R4
'04	4 kΩ	1.6 kΩ	130 Ω	1 kΩ



Resistor values shown are nominal.